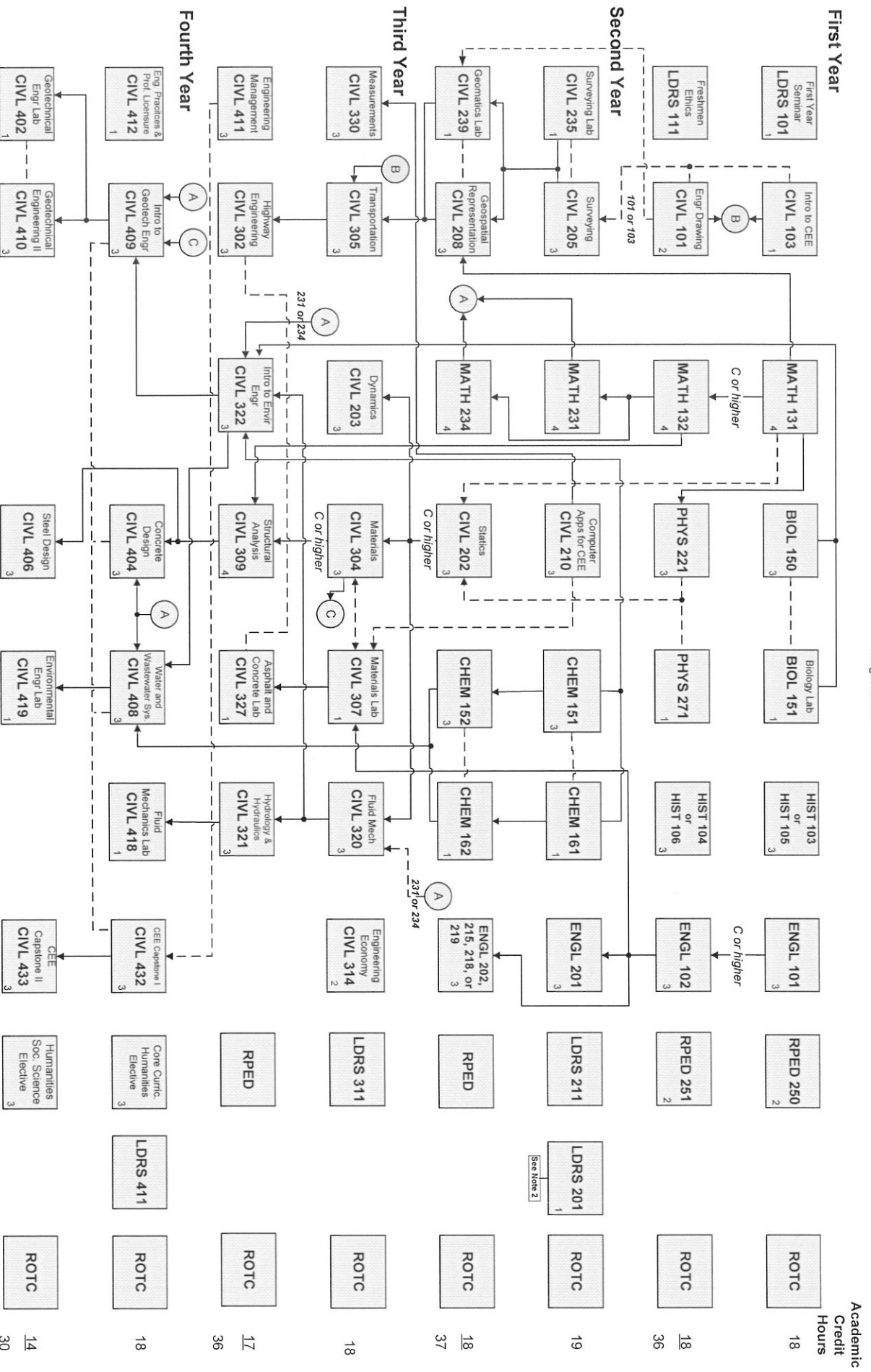


# CURRICULUM COURSE & PREREQUISITE PLAN

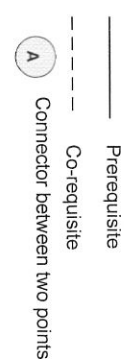
Civil and Environmental Engineering Department

August 2016



- Notes:**
1. Electives must be taken from a list of approved electives maintained by the Civil and Environmental Engineering Department in completing the required humanities and social science elective requirements.
  2. LDRS 211, the Leadership Service Lab, must also be taken and is available in the Fall or Spring.

**LEGEND**



14  
30  
139